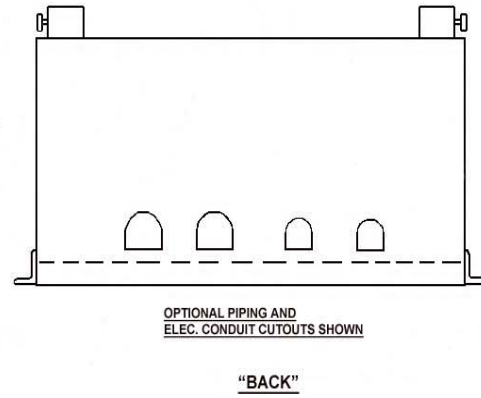
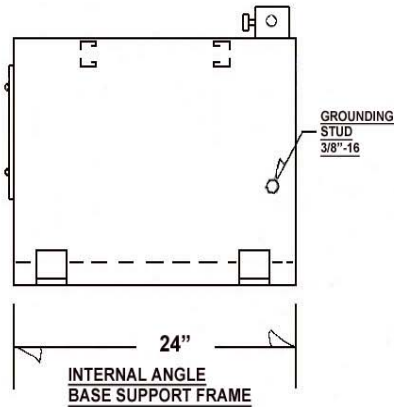
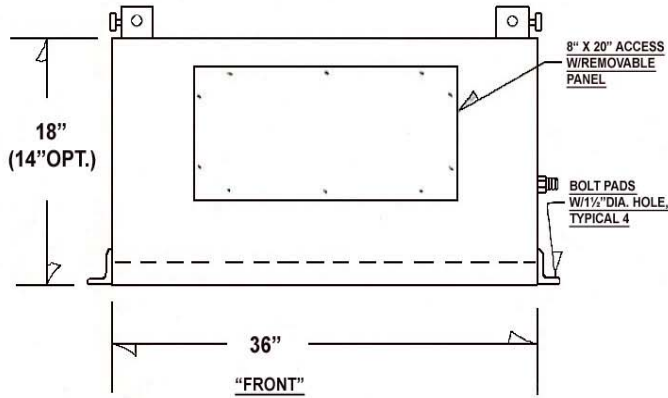


MODEL NO.	Height	Product Lines (valve brackets)	Conduit Openings	Hose Retriever mounts
1800-14-110	14"	1	1	0
1800-14-111	14"	1	1	1
1800-14-121	14"	1	2	1
1800-14-222	14"	2	2	2
1800-18-110	18"	1	1	0
1800-18-111	18"	1	1	1
1800-18-121	18"	1	2	1
1800-18-222	18"	2	2	2

MODELS LISTED ARE OPEN-BOTTOM CONFIGURATION. ADD SUFFIX "E" TO DESIGNATE SOLID, SPILL CONTAINMENT BOTTOM.



**MATERIALS:**

- **STAND:**  
12GA STEEL (OPT: 12GA STAINLESS STEEL)
- **INTERNAL FRAME:**  
1 1/2 X 1/8 STEEL ANGLE (OPT. STAINLESS STEEL)
- **BOLT PADS:**  
2 X 1/4 ANGLE (OPT. S/S)
- **COATING:**  
EXTERIOR & INTERIOR POWDERCOATED, BLACK (OTHER COLORS AVAIL.) (OPT. BARE S/S)

#1800 SERIES DISPENSER STAND

BAKER INDUSTRIES NORTHWEST

12428 Highway 99 South, Unit 56  
Everett, Washington 98204-5502

Tel:(425)212-3169 • FAX:(425)353-6788 • e-mail: [larry@bakerindnw.com](mailto:larry@bakerindnw.com)  
[www.bakerindustriestnorthwest.com](http://www.bakerindustriestnorthwest.com)

This drawing and design are proprietary to BAKER INDUSTRIES NORTHWEST, and may not be copied or duplicated in whole or in part without the written permission of BAKER INDUSTRIES NW.

DRAWN	CHECKED	DATE
-------	---------	------

LRG		05-01-04
REV		
REV		

